

# ROOFRAIL

MODULAR FREE STANDING EDGE PROTECTION

## SAFE, COMPLIANT EDGE PROTECTION WITH INTERCLAMP ROOFRAIL



### PRODUCT INTRODUCTION

Rooftop guardrail systems are a critical component of any effective roof safety strategy, particularly for buildings with regular access requirements such as maintenance or inspections. Designed to prevent falls at height, these systems provide reliable, collective protection that significantly reduces the risk of accidents.

Interclamp's RoofRail system offers a practical, non-penetrative solution that combines safety, durability, and ease of use, making it the ideal choice for facility managers, contractors, and building owners.

Compliant with BS EN 13700:2021 and meeting the requirements of the UK Work at Height Regulations. The system can also be configured to work around rooftop obstacles such as HVAC units, plant equipment, or solar arrays.

### KEY FEATURES



**Non-Penetrative**



**Adjustable and Adaptable**



**Recycled PVC Weight**

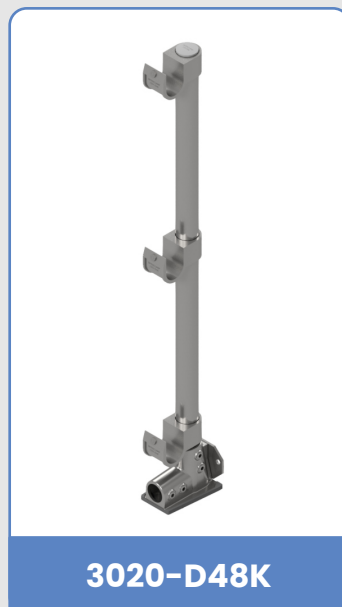
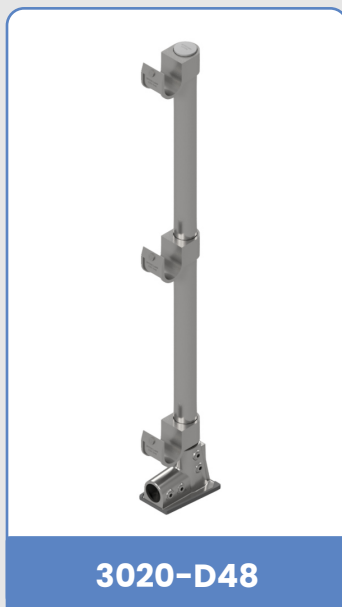
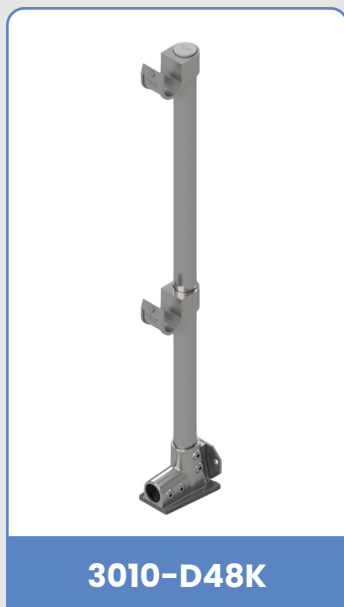
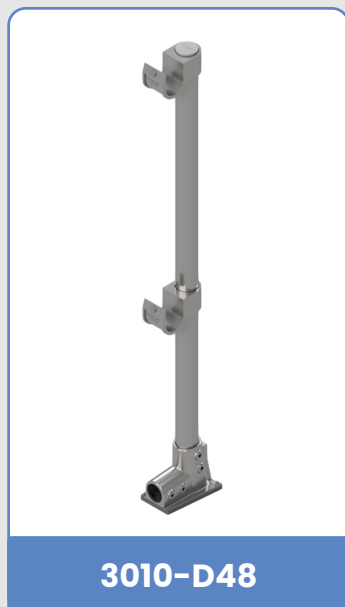


**Wind Speed Calculations**

### COMPLIANT WITH THE BELOW STANDARDS

- ✓ **BS 13700:2021 - Permanent Counterweighted Guardrail Systems**
- ✓ **BS EN ISO 14122-3:2016 - Safety of Machinery - Permanent Means of Access to Machinery**
- ✓ **BS EN 13374:2013 - Temporary Edge Protection Systems**

## ROOFRAIL STYLES

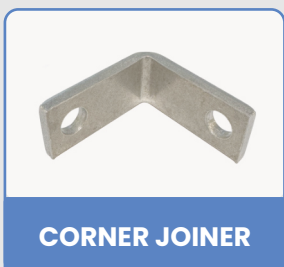


## ADDITIONAL PRODUCTS

### Interclamp Fittings



### Kick Plate



## SPECIFICATION OVERVIEW

Component	Standard	Finish / Coating
Interclamp Fittings	Cast Iron BS EN 1563:2018	Hot dipped galvanised BS EN ISO 1461:2022 (55 Micron Average)
Handrail Tube	BS EN 10255	Hot dipped galvanised BS EN ISO 1461:2022

## OPTIONAL POWDER COATING

Interclamp RoofRail systems can be powder coated at an extra cost in a wide variety of RAL & BS standard colours.